

HENRY AIRTOOLS

American Made Industrial Tools

MODELS
1350-2BA
1350-2BF

General Safety and Maintenance Manual



Bench Rammer and Floor Rammers

Model Number	Bore and Stroke	Throttle Type	Blows per Minute	Length	Diameter of Main Body	Air Consumption	Weight
1350-2BA	1.0 Inch x 4.0 Inch (25 mm x 102 mm)	(L) Lever	1240	22.2 Inches (564 mm)	1.88 Inches (48 mm)	20 cfm (9.4 L/S)	10.7 Lb. (4.8 Kg.) ap- prox
1350-2BF				36.2 Inches (921 mm)			14.3 Lb. (6.5 Kg.) ap- prox

THE HENRY TOOL CO., MANUFACTURED BY HENRY TOOLS

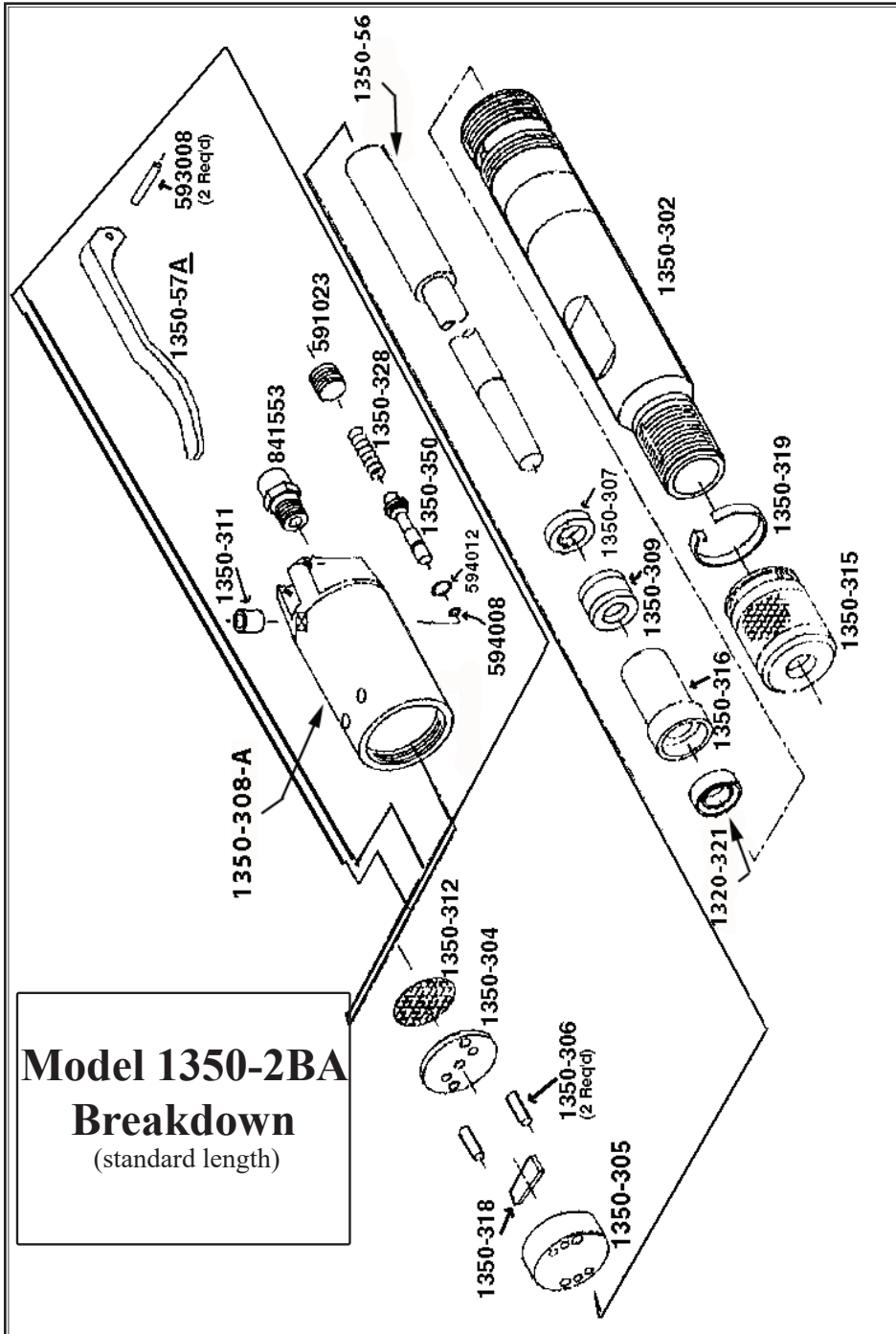
498 SO. BELVOIR BLVD., SOUTH EUCLID, OH 44121 U.S.A.

PH: (216) 291-1011 OR (800) 826-5257 • FAX: (216) 291-5949 OR (800) 303-2800

EMAIL: DAVIIDH@MSN.COM • WEBSITE: WWW.HENRYTOOLS.COM

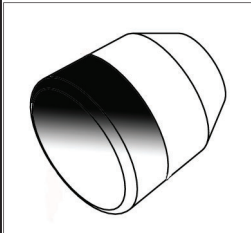


MODELS
1350-2BA
1350-2BF



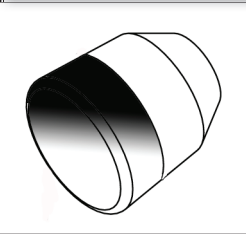
Model 1350-2BA
Breakdown
 (standard length)

Model 1350-2BA
Breakdown
 (standard length)



Rubber/Steel Butts of various sizes are available. (see chart)

MODELS
1350-2BA
1350-2BF



Part Number	Description
829558	Rubber Butt (2 3/8")
829558-AR	Alum/Rubber Butt (2 3/8")
829559	Alum/Rubber Butt (3")
832924	Steel Butt (3" STEEL)
832925	Steel Butt (2 3/8" Steel)
829556-AR	Alum/Rubber Pein (1 x 2 1/8")
829557-AR	Alum/Rubber Pein (3/4 x 2 3/8")

Part Number	Description
1100-326 -HT	LIVE HANDLE TO 1/2" NPT ADAPTER
829554	1-3/4 DIAMETER RUBBER BUTT "
829556	1 X 2-7/8" RUBBER PEIN "
829557	3/4 X 2-3/8" RUBBER PEIN "
829558	2-3/8 DIAMETER RUBBER BUTT "
829559	3 DIAMETER RUBBER BUTT "
832924	3 DIAMETER STEEL BUTT "
832925	2-1/2 DIAMETER STEEL BUTT "
841552	3/8 NPT TO 3/8 NPT BUSHING
1350-302	Rammer Barrel
1350-304	Upper Valve BLock Lid Cover
1350-305	Lower Valve Block
1350-307	Packing Gland Washer
1350-308-A	Alum. Lever Backhead
1350-309	Packing
1350-311	Thrtl. Valve Bushing
1350-312	Screen
1350-315	Packing Gland Cap
1350-316	Packing Gland Bushing
1350-318	Main Valve
1350-319	Packing Nut Lock Clip

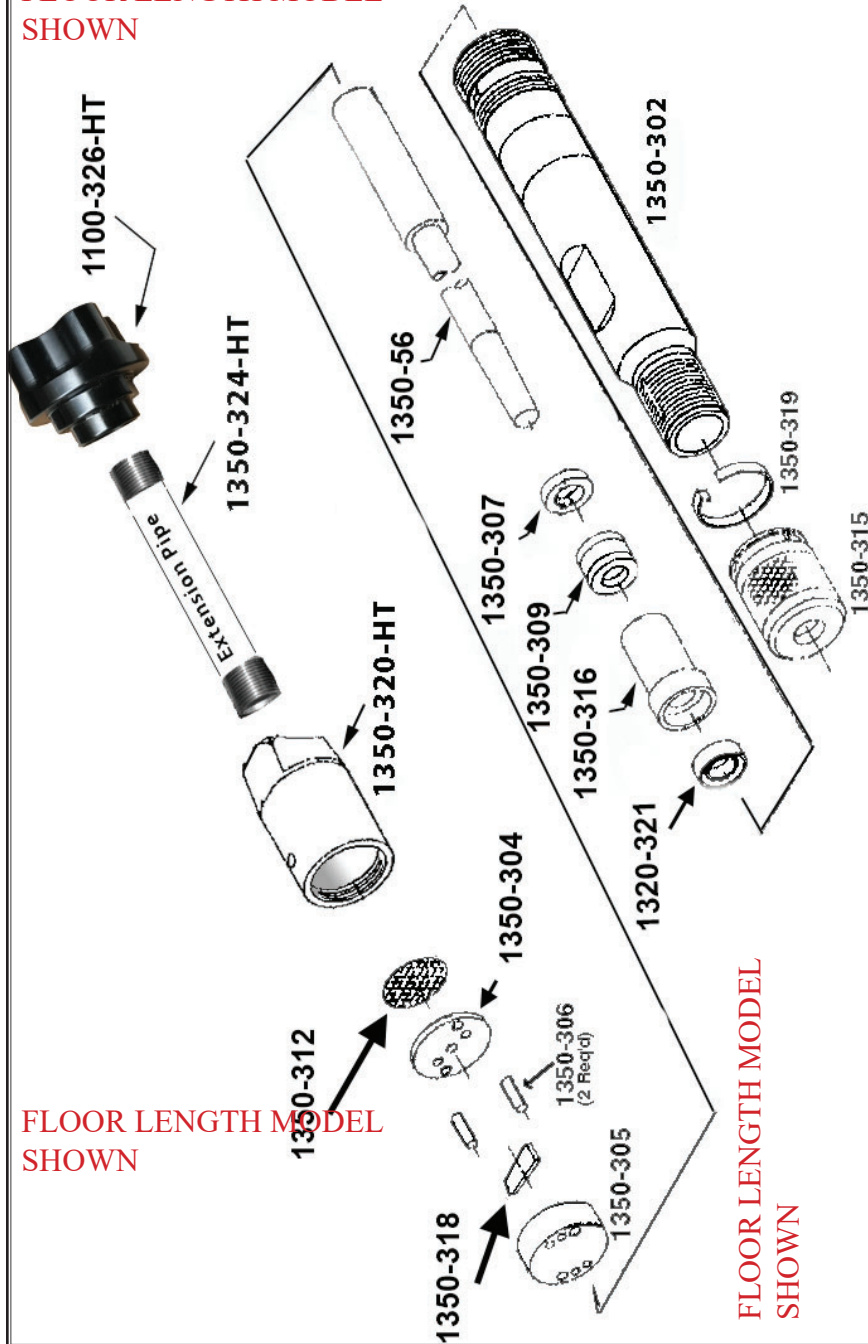
Part Number	Description
1350-328	Throt. Valve Spring
1350-350	Thrtl. Valve
1350-56	Piston
1350-57A	Thrtl. Valve Lever
591023	Throt. Valve Spring Plug
593008	Thrtl. Lever Pins (2 are Required)
594008	"O"-Ring
594012	"O"-Ring Nut
596006	Front Seal
829558	2-3/8" Dia Rubber Butt
832924	3" Steel Butt
832925	2-3/8" Steel Butt
841551	Inlet Bushing
1350-306	VALVE BLOCK DOWEL PIN (2 are REQ.)
1350-318	MAIN VALVE
1350-319	CLIP
1350-320 -HT	BACKHEAD FOR EXTENSION
1350-321	FRONT SEAL
1350-324 -HT	EXTENSION PIPE
829556-AR	1 X 2-7/8" ALUMINUM/RUBBER PEIN "
829557-AR	3/4 X 2-3/8" ALUMINUM/RUBBER PEIN "
829558-AR	2-3/8 DIAMETER ALUMINUM/RUBBER BUTT "
829559-AR	3 DIAMETER ALUMINUM/RUBBER BUTT "
841553-M	3/8 NPT TO 3/8 BSP BUSHING
AA-650-1-AL	LEVER HANDLE ASSY.
AA-650-1-ALS	SAFETY HANDLE ASSY.

HENRY TOOLS, INC. Ph: (216) 291-1011 or (800) 826-5257

MODELS
1350-2BA
1350-2BF



FLOOR LENGTH MODEL
 SHOWN



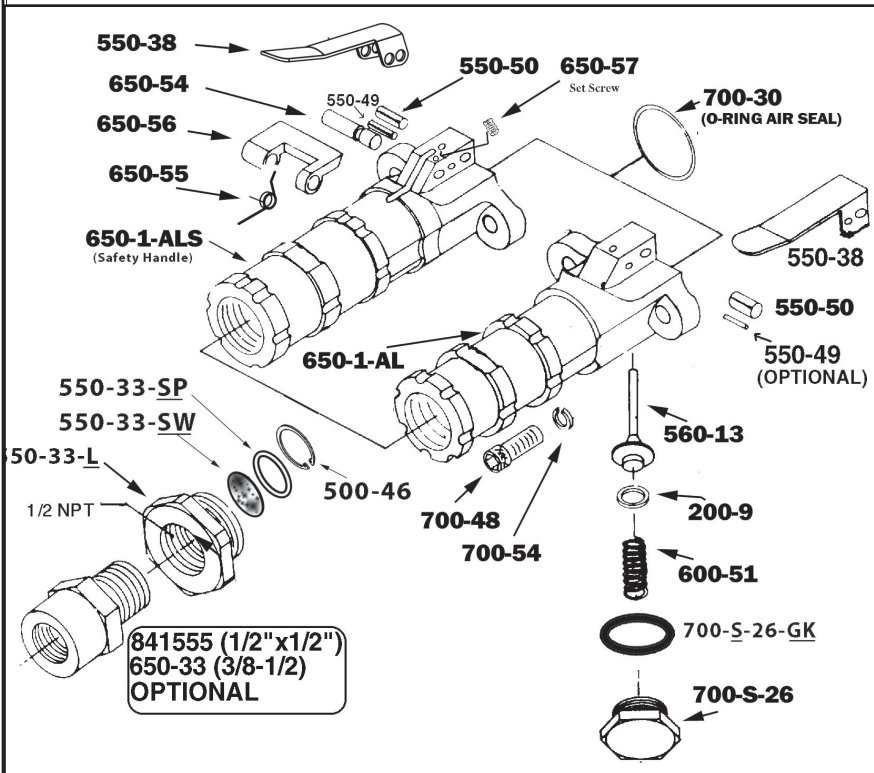
Model 1350-2BF
Breakdown
 (Floor length extended)



Rubber/Steel Butts of
 various sizes are available.
 (see chart)

General Operators Instructions and Service Manual

MODELS
1350-2BA
1350-2BF



Rubber/Steel Butts of various sizes are available. (see chart)

Part No.	Description
200-9	O-Ring
500-46	Snap Ring
550-33-L	Live Handle Adaptor bushing
550-33-SW	Screen Filter
550-33-SP	Spacer
550-38	Lever
550-50	Lever Pin
560-13	Throttle Valve Assembly with 200-9 O-ring installed
600-51	Plunger Spring
650-1-AL	Live Handle Body (Bare)
650-1-ALS	Safety Lock Valve Body (Bare)
AA-650-1-AL	Handle Assembly (Complete) (Non-lockout handle)
AA-650-1-ALS	Safety Lock Handle Assembly (Complete)
650-33	Screen Bushing(1/2x3/8)

Part No.	Description
650-54	Safety Lock Pin
650-55	Safety Lock Spring
650-56	Safety Lock Lever
650-57	Set Screw
700-30	O-Ring
700-48	Cap Screw
700-54	Lock Washer
700-S-26	Plug
700-S-26-GK	Gasket
841555	Screen Bushing (1/2X1/2)

HENRY TOOLS, INC. Ph: (216) 291-1011 or (800) 826-5257